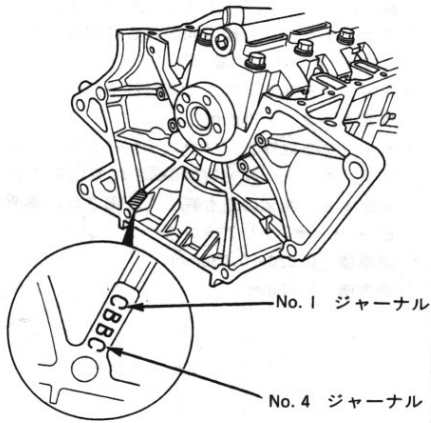
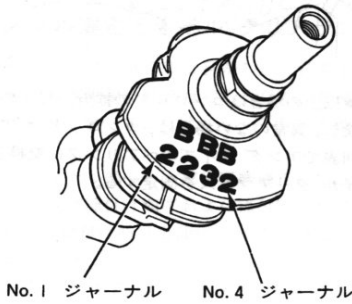


Honda Beat Engine Bearing markings



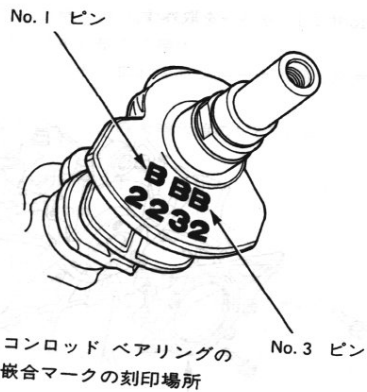
Block markings – Main bearings
4 letters
A, B, C or D

As per picture e.g. CBBC



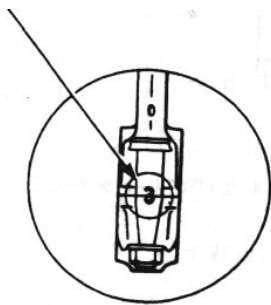
Crank markings – Main bearings
4 numbers
1, 2, 3 or 4

As per picture e.g. 2232



Crank markings – Big end bearings
3 letters
A, B, C or D

As per picture e.g. BBB



Con Rod markings – Big end bearings
1 number stamped across the joint of rod/cap
1,2,3, or 4

As per picture e.g. 3