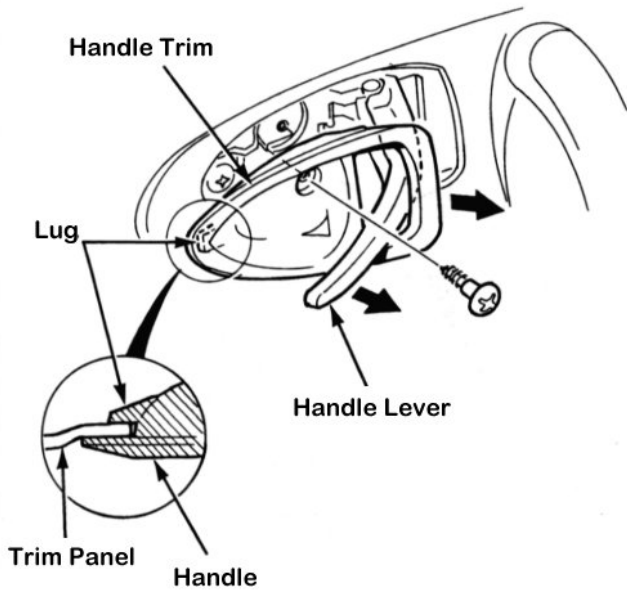


Mirror Replacement

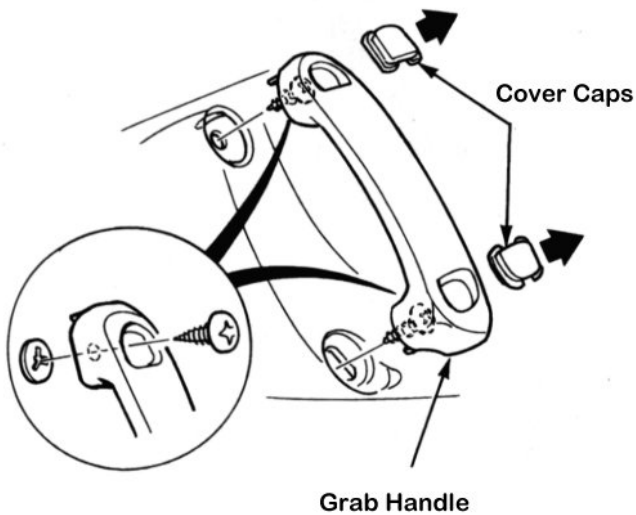
1. Remove handle surround trim.

Remove screw, Slide Handle surround trim back and out



2. Remove grab handle.

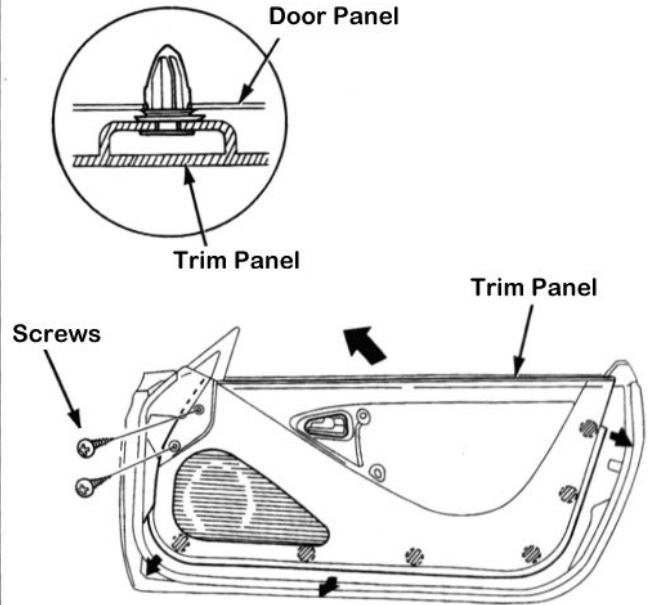
Prise out cover caps and remove 2 x screws



3. Remove door trim panel.

Remove 2 x Screws and pull trim panel away at bottom and lift up and away.

● : Retaining Clip Location



4. Remove mirror assembly.

Unclip door rubber clips, Remove 2 x bolts, Slacken 3rd and slide mirror forward and away.

