

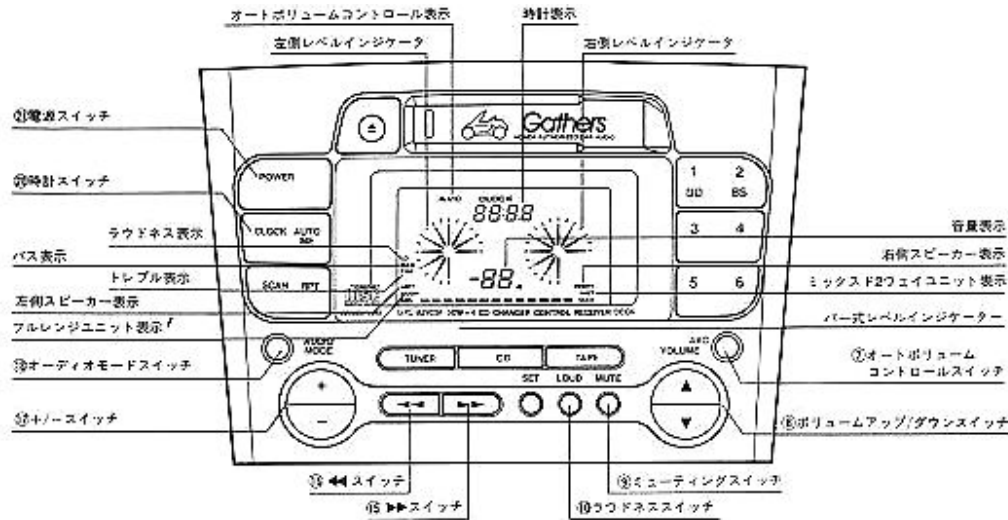
Beat Radio

* Main feature

Pushing whichever switch, from the speaker the notification function where the "??" and sound come out.

Clock function of digital display.

The automatic volume control function which revises volume according to vehicle speed.



When liking to turn on power?

Power switch: When the ignition switch is the ACC or ON, at each time you push when the "??" where power is turned on it is cut off it repeats.

You looked at the clock to be, the time?

Clock switch: When the clock switch is pushed, time is indicated. While pushing the clock switch, when [<<] you push the switch, DOTDT the time ", [>>] you push the switch when, DOTDT you can adjust amount ".

When liking to adjust volume?

Volume rise / down switch: When you push, at a time 1 step you adjust, when it continues to push, you adjust continually. It is indicated with volume indication and the bar type level indicator in display.

When liking to revise volume according to vehicle speed?

Automatic volume control switch: At each time you push display [AVC] goes out illumination /. When display [AVC] lights up, vehicle speed of that time is checked, volume changes with the volume change quality for the vehicle speed, which is set beforehand. When the switch is turned off, immediately before cutting, volume is maintained.



When transitory sound it is small the paragraph wanting?

Muting switch: At each time you push the ON/OFF of muting is possible. At the time of muting functional ON, sound becomes small.

When liking to adjust the sound quality?

Loudness switch: At each time you push display [LD] goes out illumination /. [LD] enters when lighting up the function that emphasizes bass and the treble, volume is low, it can enjoy the sound that has the force where bass and the treble are emphasized.

When liking to do a smaller tone control?

Audio mode switch: At each time you push indication substitutes [BAS], [TRE], [LEFT/RIGHT], [LOW/HI], [BAS] etc. with ardently. This indication if it is not what 5 seconds, going out, becomes audio mode change OFF.

+ / - Switch: [BAS] [TRE] [LEFT/RIGHT] you can adjust the mode where indication of [LOW/HI] is done with the audio mode switch.

[BAS] bass is adjusted.

[TRE] the treble is adjusted.

[LEFT/RIGHT] (balance) volume balance of the left and right speaker is adjusted.

[+] Right side (RIGHT) emphasis [-] left side (LEFT) emphasis

[LOW/HI] full range unit balance of mixed 2 way units is adjusted.

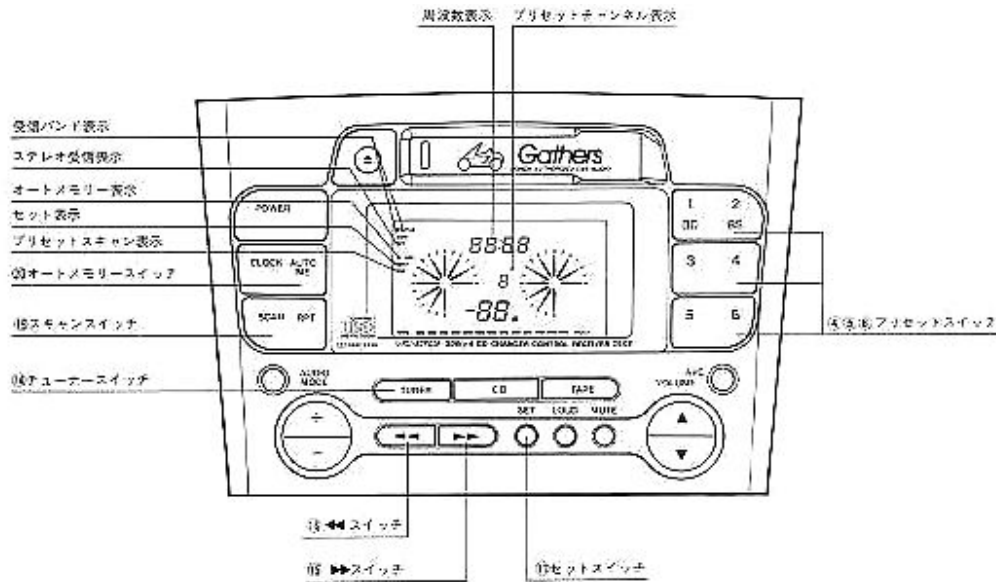
[+] Mixed 2 way units (HI) emphasis [-] full range unit (LOW) emphasis

At each time the audio mode switch is pushed display substitutes ardently.

Radio section

* Main feature

The ??????? function that makes the broadcasting station remember automatically.
 The pre-setting scan function which consecutively calls the broadcasting station which you make remember.
 FM 2 bands, prepares 12 bureau pre-setting.



When the reception band change wanting?

Tuner switch: When you push, when CD performance or tape performance and power source have been cut off (however the ignition switch is the ACC or ON) from it becomes radio mode. When you push at the time of radio mode, FM1, FM2, AM, FM1 etc. with you can change the reception band. At each time the tuner switch is pushed display substitutes ardently.

When liking to adjust the frequency of the radio?

Set switch: At each time you push [SET] illumination / goes out in display.

[SET] when lighting up: [<<] and [>>] becomes frequency modification of the respective automatic tuning. With the automatic operation tuning the broadcasting station is detected automatically, reception is started. The broadcasting station while detecting when this switch is pushed, is stopped at frequency of that time.

[SET] when going out: [<<] and [>>] becomes frequency modification of the respective manual operation. When by manual operation you push, at the time of AM reception at a time 9k Hz, at the time of FM reception it increases and decreases frequency 0.1 MH Z at a time. When it continues to push, it becomes the continual sending.



When liking to make the broadcasting station of the radio remember automatically?

???????? : When 2 seconds or more it continues to push, operation of automatic operation memory is started. Automatic operation memory to channel 1 - 6 keeps remembering the broadcasting station above fixed sensitivity in order. During automatic memory operating indication [A ME] lights up, channel number and frequency correspond with memory operation and are indicated.

Note: At the place there is no broadcasting station above fixed sensitivity before pushing the ?????????, bureau is indicated.

When liking to make the broadcasting station of the radio remember with the manual?

When liking to call the broadcasting station which you make remember?

1 - 6 buttons: When you push, the bureau where it is remembered is called. When 2 seconds or more it continues to push, the frequency which is been indicatory is remembered.

Consecutively to hear the bureau where it is remembered? (You call pre-setting scan)

Scan switch: When you push, the bureau where it is remembered in the pre-setting memory channel is consecutively called 5 seconds. When scan is discontinued, the scan switch is pushed for the second time while calling 5 seconds. During pre-setting memory scanning display [PS] lights up, while operating corresponds the channel number that is made to remember already to blink, the frequency is indicated.

Note: Case the bureau where it is remembered in the pre-setting memory channel is below fixed sensitivity, it scans directly in the next memory channel.



Cassette player section

* Main feature

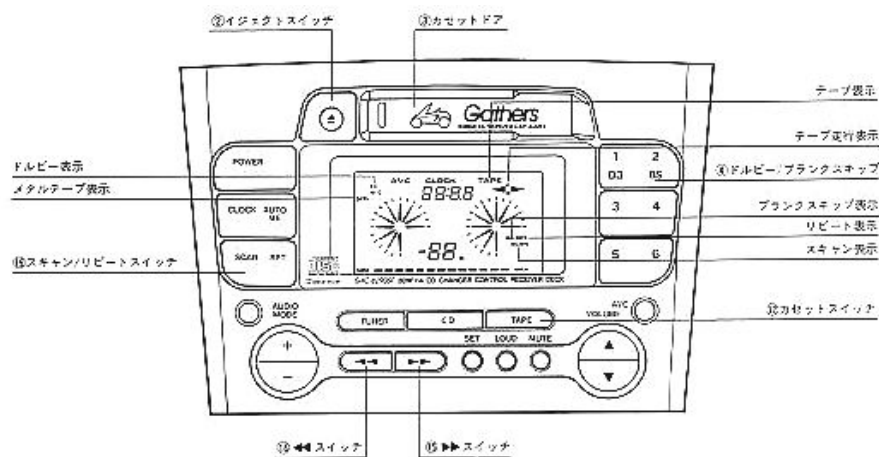
The automatic shutting door mechanism where also during of tape playing protects the mechanic from the sand and the dust.

The clear sound due to the adoption of Dolby B and C.

The tape " you open and " hoist automatically, blank skip.

Just introduction the tape scan which can be heard one after another.

The repeat mode which repeatedly can hear favorite bureau.



When liking to inquire about the cassette tape?

Cassette door: It makes the cassette tape horizontal and it inserts the surface where the tape is visible destined for the right side. When the cassette tape is inserted, when radio or CD performance and power source have been cut off (however the ignition switch is the ACC or ON) from it becomes tape mode, playback starts. The door does the TAPE insertion opening automatically and roundly is designed to be structure.

When liking to reverse the playback direction of the cassette tape?

Cassette switch: When you push, when radio or CD performance and power source have been cut off (however the ignition switch is the ACC or ON) from it becomes tape mode. During cassette tape playing back, when this button is pushed, playback direction substitutes ardently.

Note: When the tape is not inserted, display [TAPE] blinks.

When liking to remove the cassette tape?

Ejection switch: When the tape is inserted, when you push, ejection operation is done.



When liking to cut the noise of the tape?

Dolby switch: At each time you push it substitutes with ? Dolby B which cuts Dolby B ? Dolby C ? noise reduction function ardently. In combination also with display to mode, [> < B] [> < C] Lights up.

At each time the Dolby switch is pushed display substitutes ardently.

When the tape DOTDT being less crowded " liking to hoist automatically?

Blank skip switch: At each time you push display [BS] goes out illumination /. [BS] when lighting up when there is a non sound recording part of 10 seconds or more in the tape, fast forward is started automatically. This time display [BS] [>], [<] blinks, [F] lights up. When it reaches to the end of tape while advancing the automatic operation hoist, reversing, it plays back.

To inquire about just the head of tune?

The head of tune to put out and to do?

To advance / to rewind?

Scan switch: At each time you push display [the SCAN] goes out illumination /.

[SCAN] when lighting up: [<<] and [>>] as for the switch you rewind respectively with 2 pushing and become the call of direction / the call of fast forward direction.

[SCAN] when going out: [<<] and [>>] the head of respective rewind puts out with 2 pushing and / the head of fast-forward puts out and becomes.

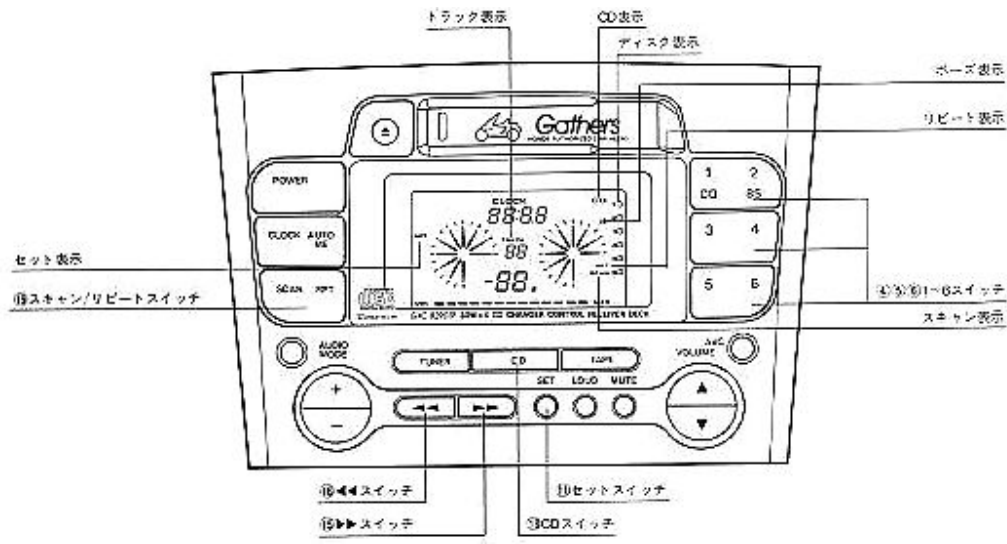
During tape playing back when 1 time you push, you rewind and [<<] fast forward [>>] become operation. While operating display [F] [R] lights up.

When repeatedly liking to hear favorite tune? (Repeat)

Repeat switch: At each time you push display [RPT] going out, illumination / repeat mode ON / it TURNS OFF. Display [RPT] when the tune which is played back ends, rewinding to the head of that tune automatically, it plays back while lighting up. During repeat playing back [RPT] [<] [>] indication blinks, [F] [R] lights up.

CD changer controller section

The GXC - the 8290SF can control the CD changer 6 CD changers of selling separately DOTDT the GZC - the 7200SF " with by connecting.



To make control mode of the CD changer?

CD switch: When you push, when cassette tape performance or the radio and power source have been cut off (however the ignition switch is the ACC or ON) from it becomes CD mode. During CD performing when this button is pushed, performance stops. While stopping [II] lights up in display.

It performs from the disk that we would like to hear?

1 - 6 switches: The CD of the same disk number as the switch that you push is performed.

Note: When the auto-changer is not connected, indication [the 1? - the 6?] blink. When the disk even one has not entered in the auto-changer, [Err 7] blinks.

To search we would like to hear?

Set switch: At each time you push display [SET] goes out illumination /.

[SET] when lighting up: When [<<] and [>>] to push returns at a time 1 tune after / with the advance shipment, continues respectively and continuing, you send.

[SET] when going out: [<<] and [>>] you reset the switch respectively and quickly / become fast forward.



To inquire about just the head of tune? (You call track scan.)

Scan switch: When you push, display [SCAN] lights up, the head of tune (introduction) at a time approximately 10 seconds keeps performing the part one after another. During track scanning when this switch is pushed, display [SCAN] it goes out and track scan is cancelled.

Repeatedly to hear favorite tune?

Repeat switch: At each time you push display [RPT] goes out illumination /. When display [RPT] has lit up, when tune ends; performance is started for the second time from the head of that tune.

*** Error indication explanation**

Display indication	Mode	The inside permitting/inserting	Precedence	Place position
Err1	CD	Memory error	1	Pushing the ejection switch of the changer, after operating, inserting the empty magazine, you collect the disk.
Err2	CD	Mechanic error	2	To nearby service shop
HHHH	CD	Temperature error	3	When inside of car of car returns to the right temperature, error indication goes out.
Err3	CD	Functional error	4	To nearby service shop
Err5	CD	Data disk		The CD - the ROM and the like entering, you are
Err6	CD	Disk error		The disk has become the opposite.
Err7	CD	Magazine color		The disk even one entering in the magazine, it is
Err8	Tape	Ejection error		To nearby service shop

Note) 1. When error occurs simultaneously, the one whose priority is high is indicated.



Rating

Cassette player section

Use tape pack * * compact cassette (C - 30 - C - 90)
 Tape speed * * 4. 8cm / sec
 Rotary unevenness * * 0.06% (WRMS)
 Fast forward * rewind time * . . . * approximately 100 seconds (C - 60)
 Playback frequency characteristic * * metal tape: 40 - 22, 000Hz (+- 3dB)
 S / N * * metal tape: DOLBY B NR IN: 70dB (IHF - A network)
DOLBY B NR OUT: 62dB (IHF - A network)
 Stereo separation * . * 45dB

FM tuner section

Reception frequency zone * * 76.0 - 90 0MHz
 Practical speed * * 12dB (new IHF)
 S / N * * 70dB (IHF - A network)
 Frequency characteristic * * 50 - 8, 000Hz (+- 3dB)
 Stereo separation * * 36dB (65dBf input and 1kHz)
 Harmonic distortion factor * * 0.5% (65dBf input and 1kHz, stereo)

AM tuner section

Reception frequency zone * * 522 - 1, 629kHz
 Practical speed * * 25 mu V (S / N: 20dB)
 Effective selectivity * * 50dB (+- 9kHz)

Amplifier * common section

Installed capacity * * 30W x 4 (EIAJ)
 Silent * treble independent tone control * . . . : +- 10dB (100Hz)
: +- 10dB (100Hz)
 Load impedance * * 4 Omega (4 - 8 Omega enabled)
 Use power source * * DC14. 4v (10.8 - 15. 6v enabled)
 Ground system * * negative ground system
 Size * * 138 (W) x 100 (H) x 200 (D) mm
 Weight * * 2. 2kg

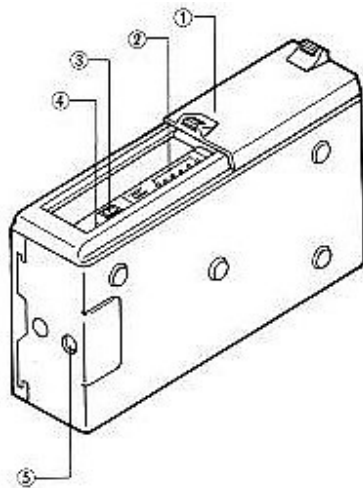
Accessory

Private antenna set * * 1 system
 Installation screw * * 1 system
 Instruction manual * * 1
 Guarantee * * 1

- As for above-mentioned specification and appearance there are times when it modifies without notice.

CD Changer

1. Name of section



- 1) Sliding door
- 2) Indicator
- 3) Ejection switch
- 4) * Reset switch
- 5) Polar DIN connector

* **Reset switch** It is the button type switch in order to make the normal operation of the knitting machine start. After wiring, after, pushing the reset switch, please be sure to use. In addition, when while playing back the CD, it operates abnormally even, when the reset switch is pushed, it returns to normal operation.

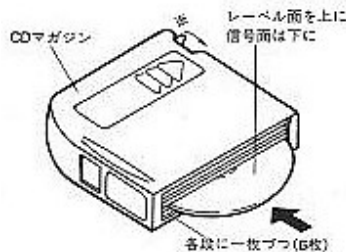
This item does the GXC of selling separately - the 8290SF or the GXC - connecting with the 8200SF, being something which you use. In only this item, being not to be able to use, note you ask.

2. Operation method

The CD is taken in and out to the magazine?

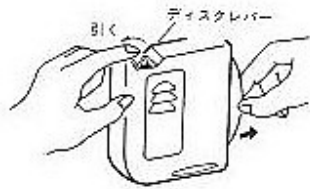
1. One of inserting the disk

- * With the label surface of the disk as on as in the figure please insert.
- * Please do not use the 8cm Cd.
- * When the disk is set to the magazine, * the part (the white part) rises.

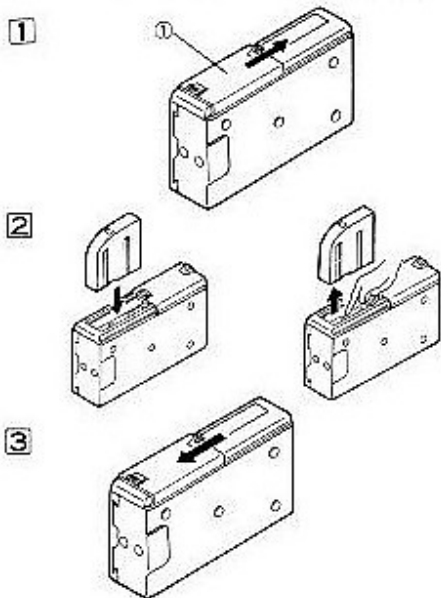


2. One of removal of disk

- * When * the part is pulled with the finger, the disk part comes out from the magazine.
- * As in the figure the edge of the disk is thrown out with the fingertip.
(Note) the signal surface of the disk (opposite side of the label printing aspect) please try not to touch directly by the hand.



The magazine is taken in and out to the changer?



The (1) sliding door is slid to the right, Until it locks, please open completely.

Installing

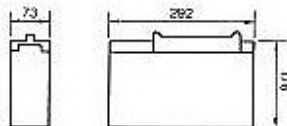
After the verifying, please insert the surface and insertion direction, push in the magazine to the inner part, gently.

Ejection

Pushing the (2) ejection switch, after making the magazine eject, please remove. (However ignition switch ACC or ON) When you set the CD magazine? Please be sure to close the (1) sliding door and the cover. When the rubbish and the dust enter, it becomes cause of breakdown.

3. Rating

- Playback system: Magazine system, compact disk changer
- The number of quantization bits: 16 bit rectilinear type quantization
- The number of channels: Channel 2 (stereo)
- Frequency characteristic: 8hz - 20kHz (+- 1dB)
- Dynamic range: Above 90dB (1kHz)
- SN ratio: Above 90dB (1kHz) IHF * A
- Harmonic distortion factor: 0.03% or less (1kHz)
- Channel separation: Above 85dB (1kHz)
- Wow * flutter: Or less of measurement limit
- Output level: 1. 2v / 10k Omega
- Power source voltage: DC14. 4v (10.8 - 15. 6v) (-) ground
- Consumed electric current: Or less of 1a
- It is heavy the quantity: 2 . 8kg
- External size: Width 292mm height 73mm depth 176mm



* These ratings and design, for improving are times when it modifies without notice.